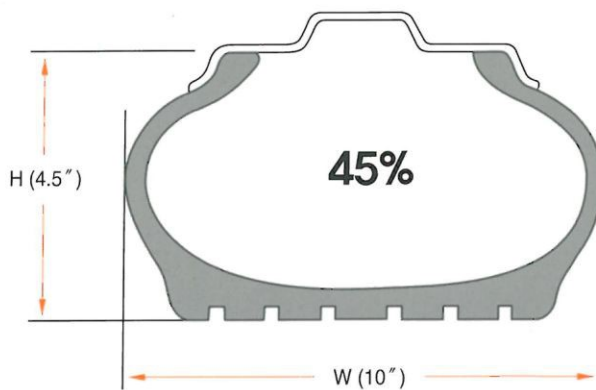


Tyre Profile

• Aspect ratio

- The ratio of section height to section width
- Tire series



$$\text{Aspect ratio (\%)} = \frac{H(\text{section height})}{W(\text{section width})} \times 100$$

Comparison of Aspect Ratio

Refer the chart below to compare with each aspect ratio

Tyre Size	175/70R13	175/65R14	185/60R14	195/50R15
Rim size	13	14	14	15
Aspect ratio	70	65	60	50
Rim width (std, rim)	5	5	5.5	6
Load capacity (kg)	475	475	475	475
Overall diameter (mm)	580	589	578	577
Section width (mm)	178	176	187	203